

Terminal with a Hygienic Touch

Unique Keypad Technology



Efficient Cleaning

The housing features a low surface roughness with no raised buttons. It is simple and fast to operate and clean, making it appropriate for any hygienically sensitive environment.



Fast and Easy to Operate

The inductive button technology is very reactive and fast in its response. It can be adjusted to individual operator preferences, which increases the ergonomics of the scale and makes it more efficient to operate.



Increased Uptime

The metal keypad doesn't carry physical buttons on the front. It also provides the full benefits of stainless steel with its distinguished advantages, which assure failure-free operation and prolonged uptime, especially in mechanically demanding environments.



Versatile Usage

The full stainless-steel front is immune against mechanical impact and many aggressive substances and can be operated by hand or with gloves. This makes the scale a good choice for many food, pharma and chemical applications.



ICS689 & ICS429 Metal Keypad

The new full stainless-steel terminal front, consisting of one solid stainless steel plate, doesn't carry any physically accessible buttons. This eliminates the risk of residues or water accumulation on the surface. Furthermore, the metal front protects the unit's inductive keys against mechanical damage and assures failure-free operation in tough environments.

The metal keypad is available for our ICS689 and ICS429 terminal and scales series and is ordered as an option.

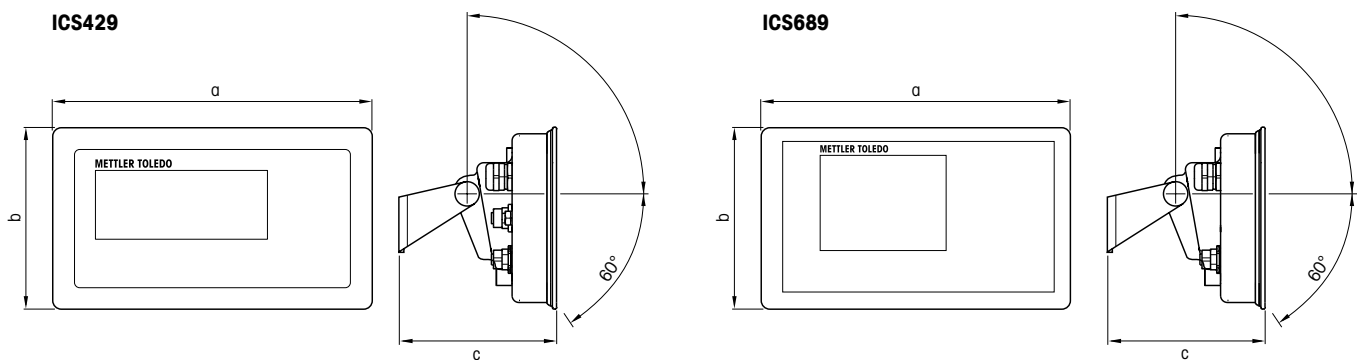
Metal-Keypad

ICS689 & ICS429

Technical Specifications

Front Material	Stainless steel AISI316L
Surface Roughness	$\leq 0.8\mu\text{m}$
Keypad Technology	Inductive
Number of Keystrokes	$> 10,000,000$
Sensitivity	Three sensitivity levels can be set
Ingress Protection	IP68/69K

Dimension Drawing



Type	ICS429		ICS689	
	mm	inch	mm	inch
a	232	9.13	260	10.23
b	132	5.20	170	6.69
c	121	4.76	120	4.72

www.mt.com/ICS689

For more information



METTLER TOLEDO Group
 Industry Division
 Local contact: www.mt.com/contacts

Subject to technical changes
 ©11/2017 METTLER TOLEDO. All rights reserved
 Document No. 30399391
 MarCom Industrial